

POS-3520

Quick Reference Guide



Manual ver Q3

All Right Reserved Copyright 2011

Packing Checklist

If you discover any item below was damaged or lost, please contact your vendor.

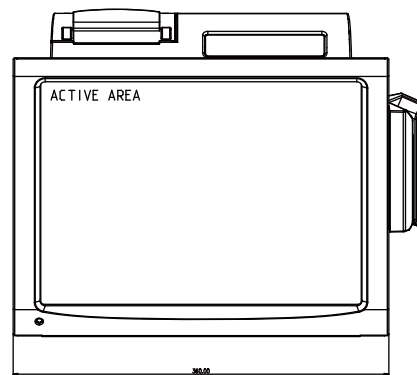
- POS-3520 X 1
- This Quick Reference Guide X 1
- AC Power Adaptor X 1
- Driver CD X 1

Specifications

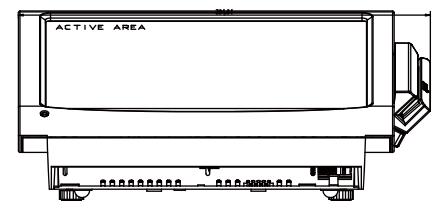
System	
CPU Support	Intel® ATOM Pineview D525 CPU
Memory Support	2 x DDR3 SO-DIMM Slot, 1GB DDR3 SO-DIMM (up to 4GB)
Core Logic	Intel® ICH8M
Network	10/100/1000 Base-T Fast Ethernet
Power Supply	120 Watt power adapter
System Weight	5.7 kg
Dimension (WxHxD)	356 x 309 x 167 mm (14.02" x 12.19" x 6.57")
O.S. Support	Windows XP/ XPE, WEPOS, POSReady 2009
Storage	
HDD	1 x 2.5" SATA HDD (standard 160GB)
CF	Bootable Compact Flash slot for CF type I/II storage
I/O Ports	
USB	4 x USB 2.0 port/ 1 x USB 2.0 on side bezel
Serial Port	3 x DB-9 (COM 1/2/4), 1 x RJ45 (COM 3), +5V/12V selectable (COM1 ~ COM3)
PS/2	1 x PS/2 ports (default at keyboard)
LAN	1 x 10/100/1000 Mbps
VGA	1 x DB-15 VGA interface
Audio	1 x 2W speaker
Cash Drawer	1 x RJ11 Cash Drawer port (12V/24V)
Printer	2" or 3" easy loading thermal printer with auto cutter
Display	
LCD	15" TFT LCD
Max. Resolution	1024 x 768
Brightness	250 cd/m ²
Touch Screen	5-wire analog resistive
Viewing Angle	0 ~ 65 degree
Environment	
EMC & Safety	CE, FCC
Operating Temp.	0 °C~ 35 °C
Storage Temp.	-20 °C ~ 60 °C
Humidity	20% ~ 90%

System View

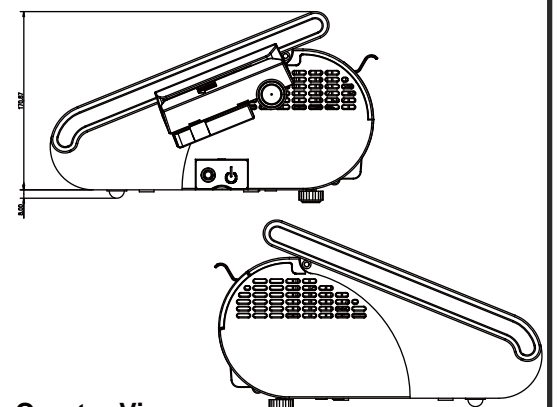
Front View



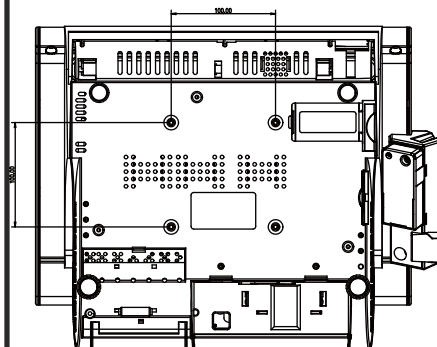
Rear View



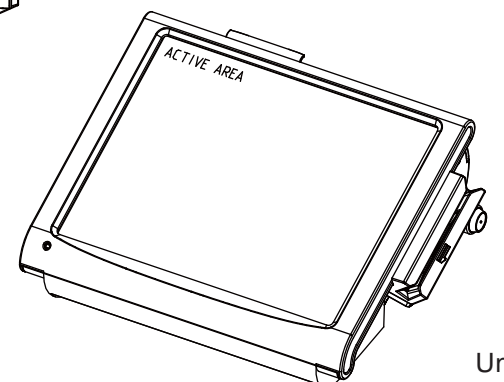
Side View



Bottom View



Quarter View



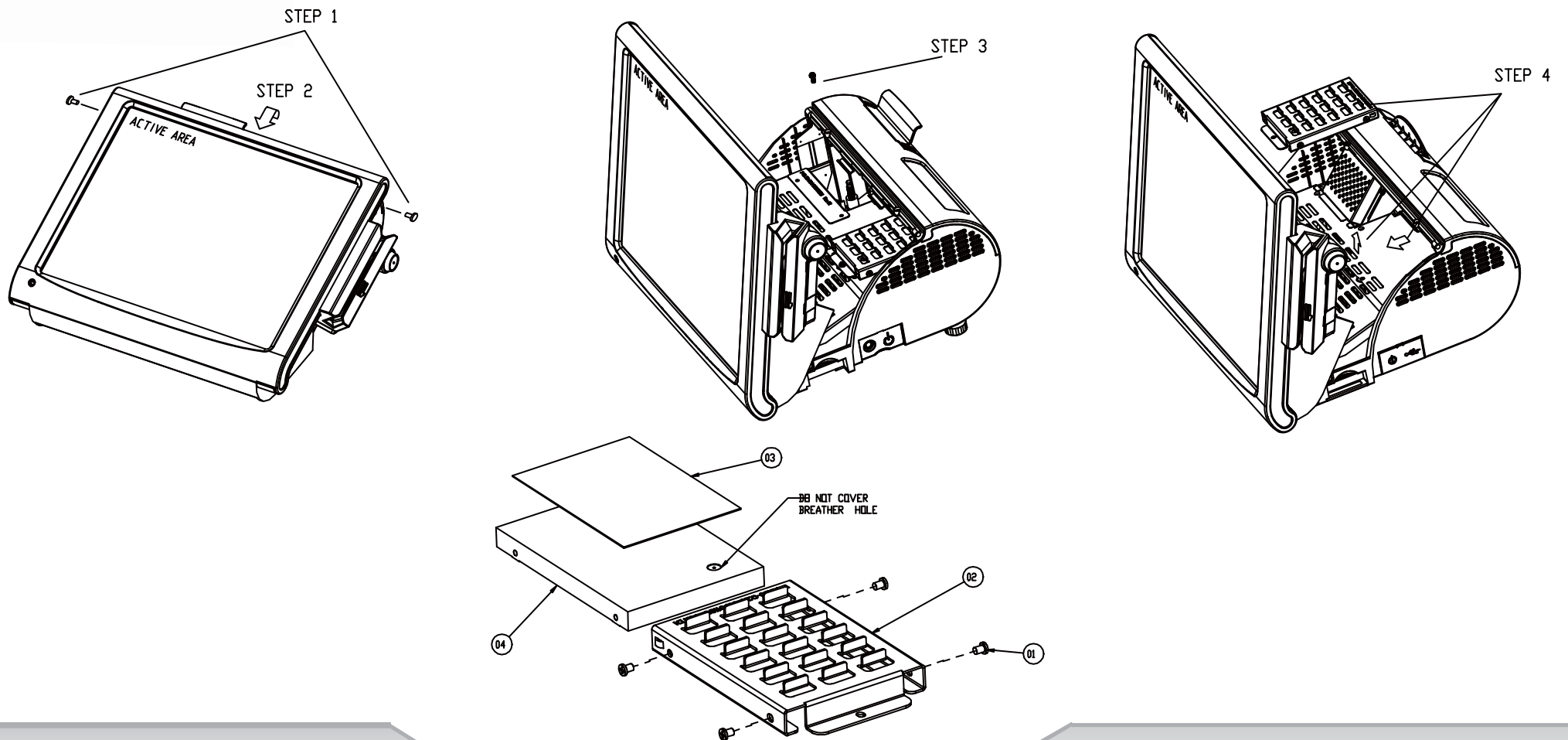
Unit: mm

POS-3520

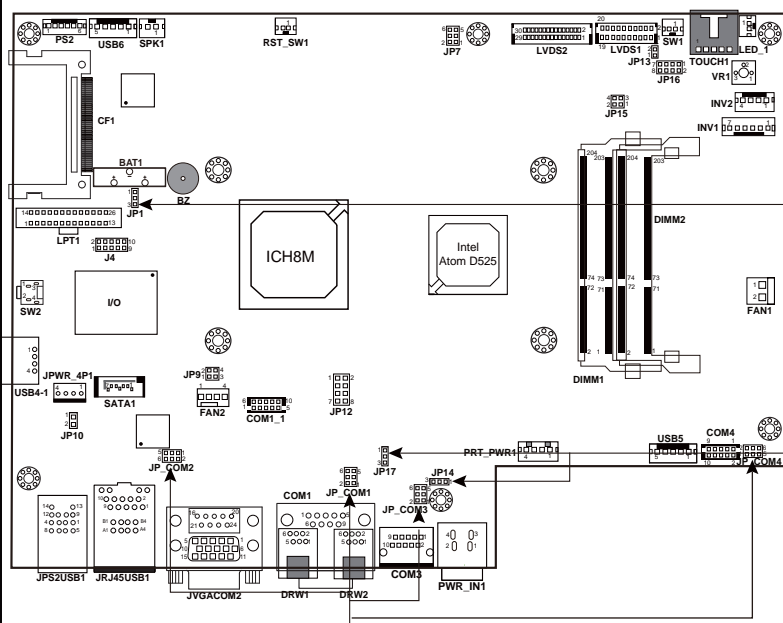
The One-of-a-kind Highly Integrated 15" POS Terminal

Easy Maintenance

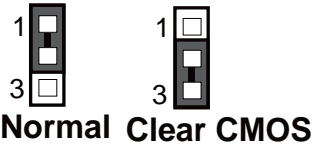
HDD Maintenance



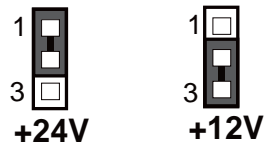
Jumper Setting



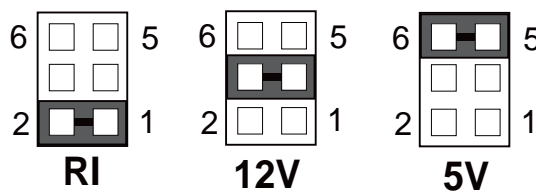
Clear CMOS Date Selection



Cash Drawer Power Selection



COM Port RI & Voltage Selection



Safety Precaution

The following messages are reminders for safety on how to protect your systems from damages and to extend a long life of the system.

1. Check the Cable Voltage

- Make sure the range of operating voltage that is between AC 100V and AC 240V. Otherwise, the system could be damaged.

2. Environmental Conditions

- Place your POS-3520 on a sturdy, level surface. Be sure to allow enough space to have easy access around the system.
- Avoid extremely hot or cold place to install the system.
- Avoid exposure to sunlight for a long period of time or in a airtight space.
- Also, avoid the system from any heating device or use POS-3520 when it's been left outdoors in a cold winter day.
- Bear in mind that the operating ambient temperature is from 0 °C up to +35 °C (32 °F ~ 113 °F).
- Avoid moving the system rapidly from a hot place to a cold place and vice versa. Because condensation may come from inside of the system.
- Place POS-3520 in strong vibration(s) may cause hard disk failure.
- Do not place the system too close to any radio active device. Radio-active device may cause signal interference.

3. Handling

- Do not turn the system upside down. This may cause the hard drive to malfunction.
- Do not allow foreign objects to fall into this product. If water or other liquid spills into this product, unplug the power cord immediately.

4. Good Care

- When the outside of the case is stained, remove the stain with neutral washing agent with a dry cloth.
- Never use strong agents such as benzene and thinner to clean the system.
- If heavy stains are present, moisten a cloth with diluted neutral washing agent or with alcohol and then wipe thoroughly with a dry cloth.
- If dust has been accumulated on the outside, remove it by using a special made vacuum cleaner for computers.
- Please don't contact the surface of capacitive touch before entering your operation system, or capacitive touch may have position problem for electrostatics interface.
- Please don't exchange the M/B battery by yourself or serious damage may incur.