

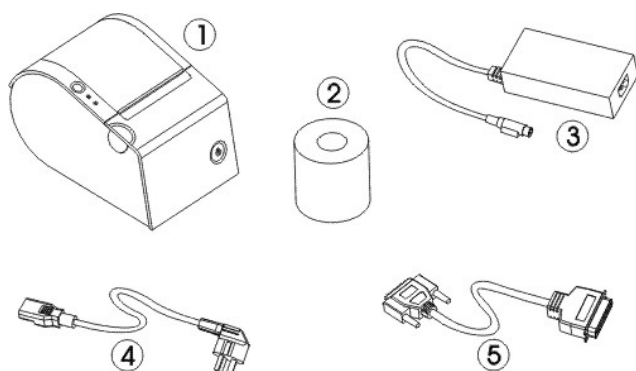
# Opoz RP5080 Printer Installation Guide

## V1.0

### Specification:

<b>Printing Method</b>	Direct thermal line printing
<b>Dot Density</b>	8 dots/mm
<b>Printing Density</b>	576 dots/line
<b>MCBF</b>	100 km
<b>Printing Speed</b>	150 mm/sec.
<b>Printing Paper Width:</b>	79±1 mm
<b>Paper Diameter</b>	Max < 80mm
<b>MCBF of Auto Cutter</b>	500,000 times
<b>Power Supply</b>	DC24V+10%
<b>Power Consumption</b>	2.5A
<b>The Max current</b>	Max 8A
<b>Cash drawer interface</b>	RJ11 – can support two cash drawers
<b>Signal interface</b>	36PIN Bi-directional parallel port or 25PIN D-SUB serial port
<b>Dimension</b>	139.2 (W) X 213 (D) X 123 (H) mm
<b>Net Weight</b>	1.135Kgs
<b>Operating temperature</b>	5~40°C
<b>Relative humidity</b>	10~80%RH
<b>Input &amp; output voltage</b>	Input: 100-240V, 50/60Hz, MAX1.50A Output: 24V,2.5A,60W

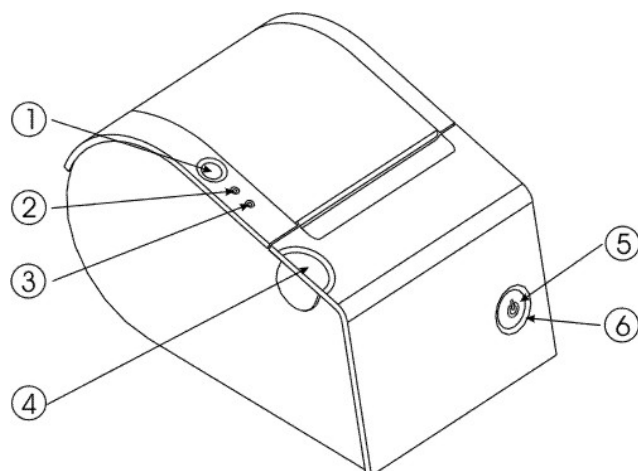
### Carton Content:



1. Printer
2. Test paper roll
3. Power adapter
4. Power cord
5. Signal cable

## Installation

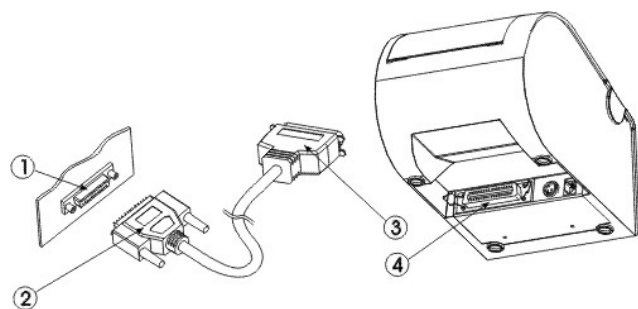
### Control Panel



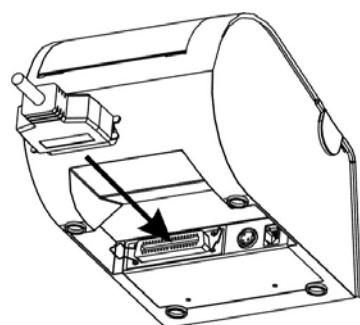
1. Feed button
2. Error indicator
3. Indicator of paper out
4. Lid button
5. Power switch
6. Power indicator

### Connecting the Signal Cable

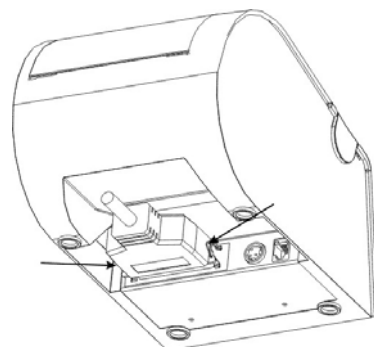
Before connecting any of the cables, make sure that both the printer and the host are turned off.



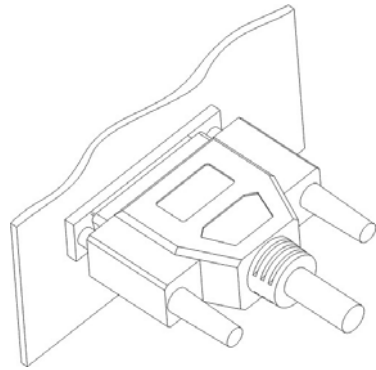
1. Parallel port in the host unit
2. 25PIN D-SUB connector
3. 36PIN connector
4. Signal connector of the printer



Insert the 36PIN connector into the signal connector of the printer



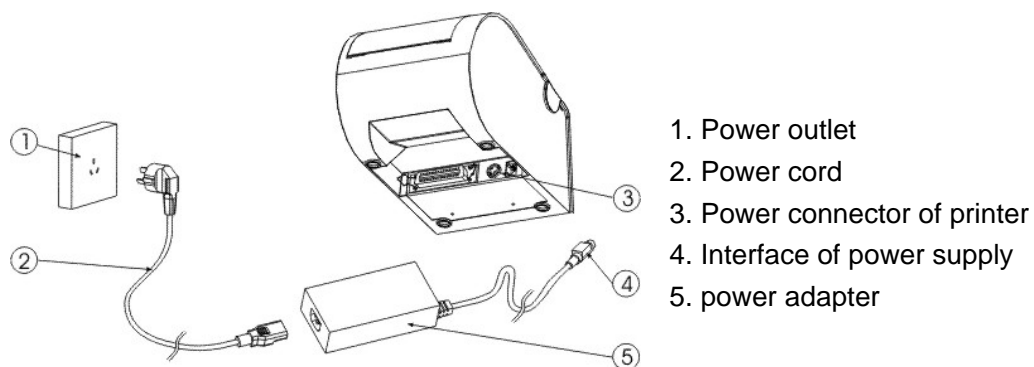
Fasten the 36PIN connector there with the clasp



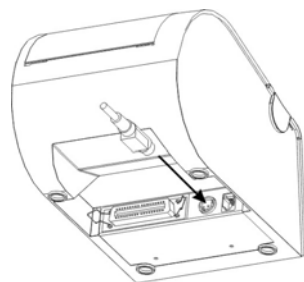
Insert the 25PIN D-SUB connector into the parallel port of the host unit and fasten the left and right screws.

### Connecting the Power Adapter:

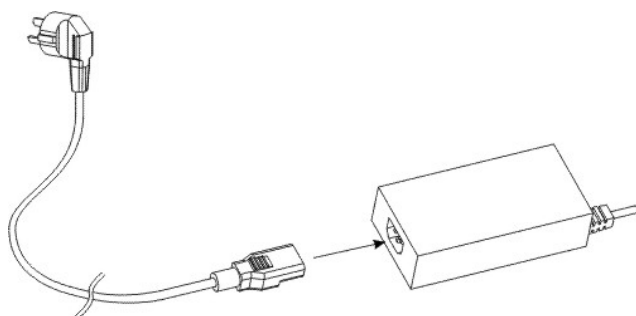
- Check the label on the power supply to make sure that the voltage required by the power supply matches that of your electrical outlet.
- Due to the power adapter is a high voltage product, the erector must have the relative professional skill. Otherwise may cause the power adapter damaged.



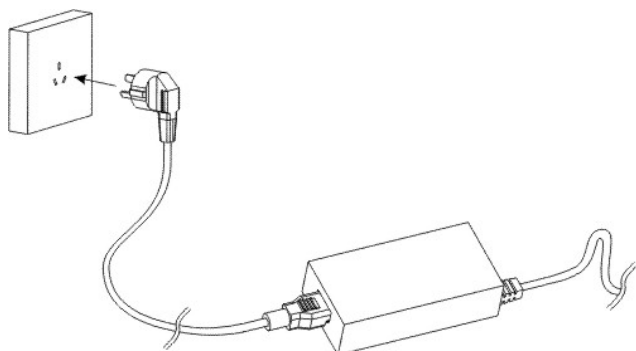
1. Power outlet
2. Power cord
3. Power connector of printer
4. Interface of power supply
5. power adapter



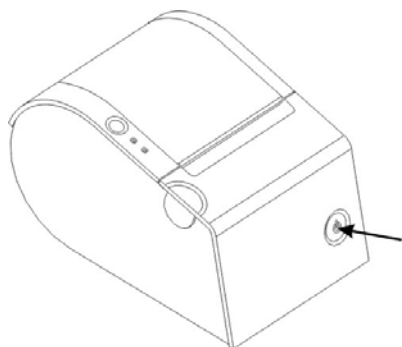
Connect the power adapter to the printer.



Insert the power cord into the power supply.



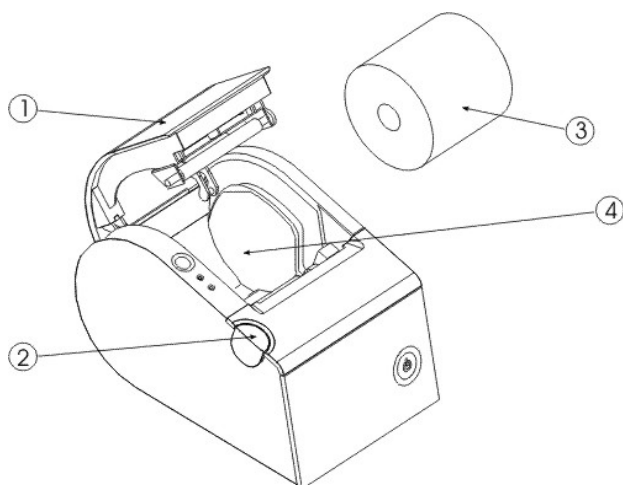
Insert the power plug to the power outlet.



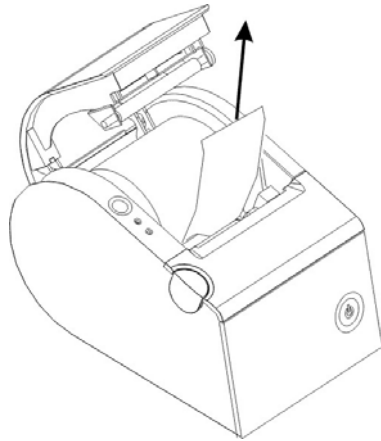
The installation is finished and you can turn on the printer now.

### Loading paper roll:

- Please choose high quality thermal paper, in order to protect the printer head.
- Do not use paper rolls that have the paper glued to the core because the printer cannot detect the paper end correctly.
- Be sure to use right paper rolls that meet the specifications.



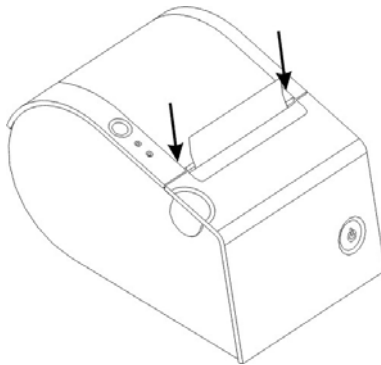
1. upper cover
2. lid button
3. paper roll
4. paper-in slot



Press the lid button and the upper cover will open.

Put the paper roll into the paper-in slot and pull out a small amount of paper.

Be sure to note the correct direction that the paper comes off the roll.



Close the upper cover.

### **The Self-test:**

To start Self-test, press and hold down “FEED” button while power on, then release the button, the Self-test sample will be printed.

### **CITAQ CO., LTD.**

Add: 6/F., Hanjiang Bldg., Changping Rd., Shantou, China

Tel: 86 754 8845120 / 8845121

Fax: 86 754 8845109

[www.citaq.com](http://www.citaq.com)

E-MAIL: [info@citaq.com](mailto:info@citaq.com) support@citaq.com