



Horizontal **Installation Guide** Vertical

A7/V7 Series

Use of Materials Limitations

International Currency Technologies Corporation (ICT) all rights reserved.
All materials contained are the copyrighted property of ICT.
All trademarks, service marks, and trade names are proprietary to ICT.

ICT reserves the right at all times to disclose or to modify any information as ICT deems necessary to satisfy any applicable law, regulation, legal process or governmental request, or to edit, refuse to post or to remove any information or materials, in whole or in part, in ICT's sole discretion.

Contents

1. Introduction	1
1-1. Overview	1
1-2. Features	1
2. Specifications	1
General	1
Electrical	2
Mechanical	2
3. Packing List	2
4. Dimension	3
5. Installation	4
5-1. Harness Application	4
5-1-1. I/O Circuit	17
5-2. DIP Switch Setting	23
5-3. Software Download and Upgrade	23
6. Maintenance	24
7. Troubleshooting	25

1. Introduction

1-1. Overview

A7/V7 Series is a bill acceptor which features not only high-security module with bill box but also outstanding recognition, acceptance rate up to 96% or even greater.

1-2. Features

- Four way bill insertion acceptance.
- Numerous interfaces available.
- Easily Install & Maintain.
- High Acceptance Rate up to 96%.

2. Specifications

General

Acceptance Rate 96% or greater

Note: The incomplete bills such as extremely dirty, wet, broken or wrinkled ones are excluded.

Bill Insertion Four-way acceptance

Transaction Speed Approx. 3 seconds to stack

Interface Standard Pulse, 5V Enable, ICT Protocol, MDB, GPT Parallel

Installation Indoor

Electrical

Power Consumption 12V- Standby : 5 W
Operation: 24 W
Maximum: 36 W

Power Source A7: 12V DC (11.4~12.6 V DC)
117V AC (105.3~128.7 V AC)
V7: 12V DC (11.4~12.6 V DC)
24V AC (21.6~26.4 V AC)
34V DC (20V~42.5 V DC)

Operation Environment Operation Temperature: 0°C~55°C
Storage Temperature: -30°C~70°C
Humidity: 30%~85RH (no condensation)

Mechanical

Outline Dimension See Page.3

Bill Capacity Approx. 100 bills (80~120)
200 bills (200~300)
400 bills (350~450)
800 bills (750~850)

Weight Approx. 1.25kg

3. Packing List

Main Bill Acceptor

Accessory Harnesses: see **5-1**
A7/V7 Installation Guide
A7/V7 DIP Switch Setting Guide

4. Dimension

◆Horizontal

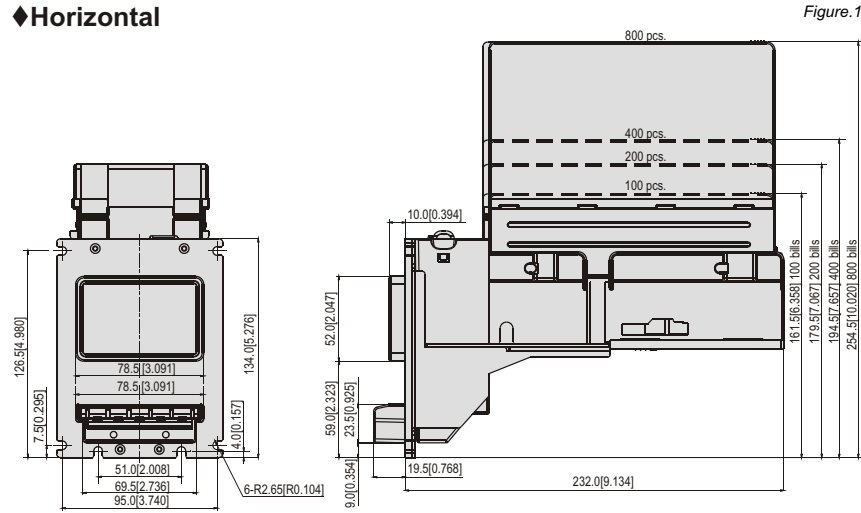


Figure.1

◆Vertical

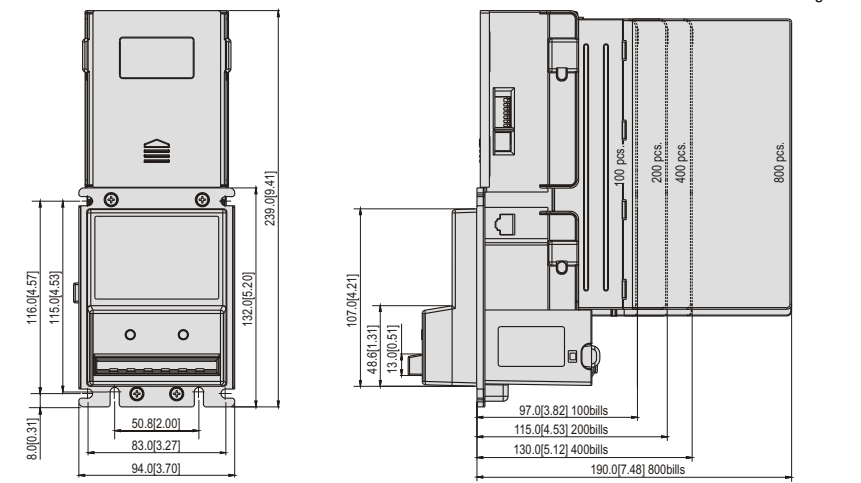


Figure.2

Unit : mm [inch]

5. Installation

5-1. Harness Application

Table 1

Model	Interface	Used Voltage	Usage	Harness	Page
A7	Standard Pulse	117V AC	Power & *Data Comm.	WEL-RM008	5
			Extension Wire	WEL-RM012	6
		12V DC	Power & *Data Comm.	WEL-RM007	7
			Extension Wire	CU-R961-1	8
	5V Enable	117V AC	Power & *Data Comm.	WEL-RM017	9
			Extension Wire	WEL-RM018	10
	ICT Protocol (RS232)	12V DC	Power	WEL-RM007	6
			**Power Ext.	CU-R961-1	7
			*Data Comm.	WEL-RV706	11
		117V AC	Power	WEL-RM008	5
**Power Ext.			WEL-RM012	6	
*Data Comm.			WEL-RV706	11	
V7	Standard Pulse	12V DC	Power & *Data Comm.	WEL-RV701	12
			Extension Wire	CU-R961-1	8
		24V AC	Power & *Data Comm.	WEL-RV703	14
			Extension Wire	WEL-RV702	13
	MDB	34V DC	Power & *Data Comm.	WEL-RM006	15
	ICT Protocol (RS232)	12V DC	Power	WEL-RV701	11
			Extension Wire	CU-R961-1	7
			*Data Comm.	WEL-RV706	11
GPT Parallel	24V AC	Power & *Data Comm.	***5RBG-AA203L1-xx	16	

*Data Comm. : Data Communication.

**Power Ext. : Power Extension Wire

***5RBG-AA203L1-xx : Plug-in Box & Cables, "xx" varies from version to version.

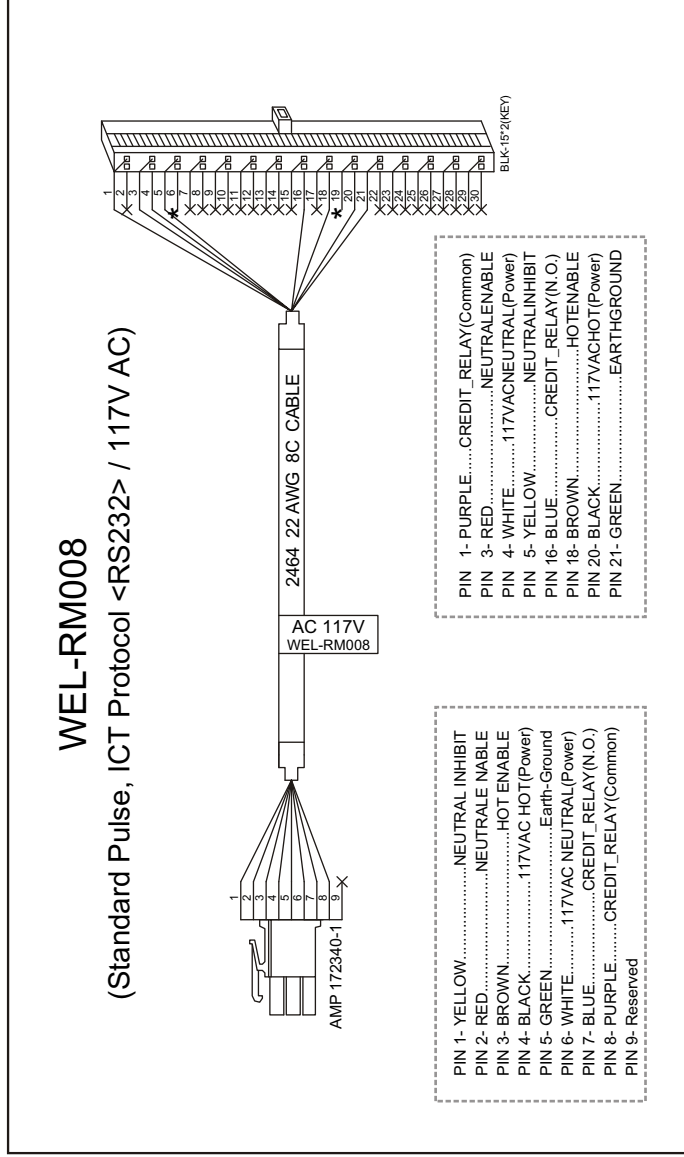


Figure.3

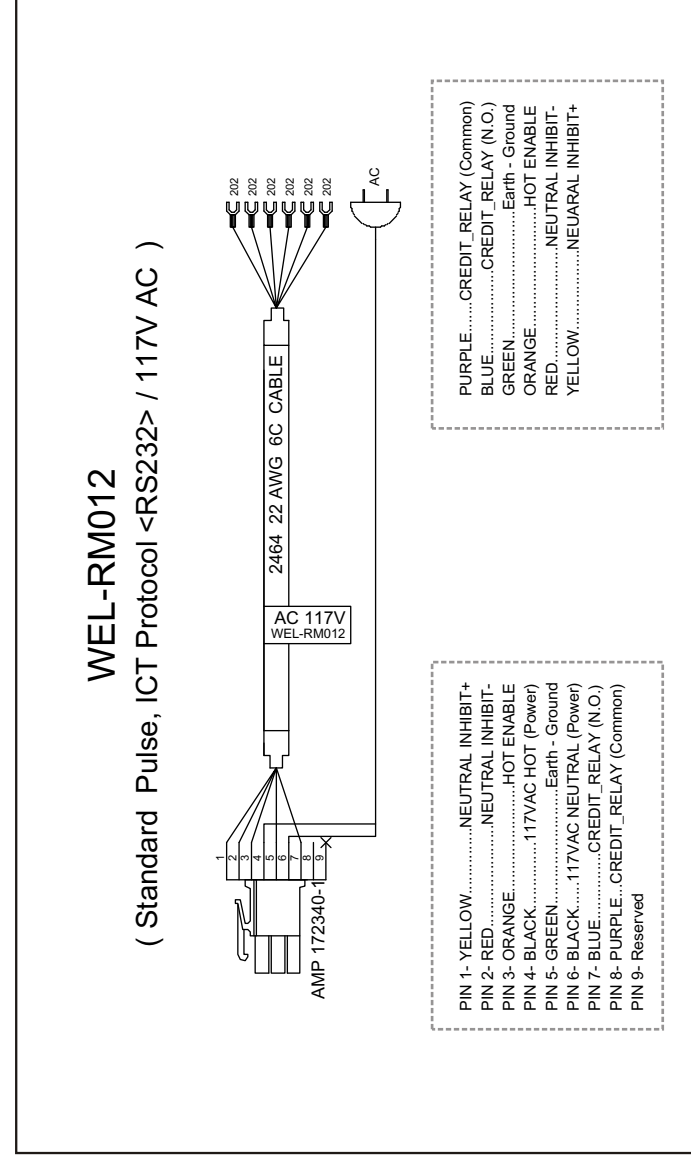


Figure.4

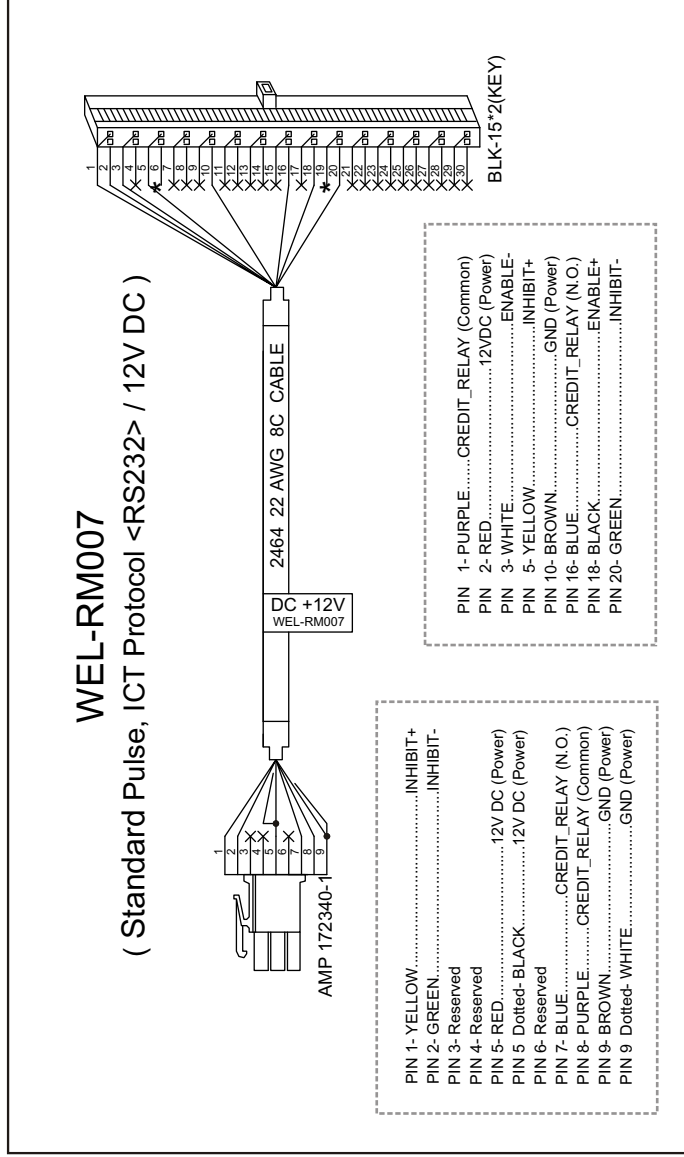


Figure.5

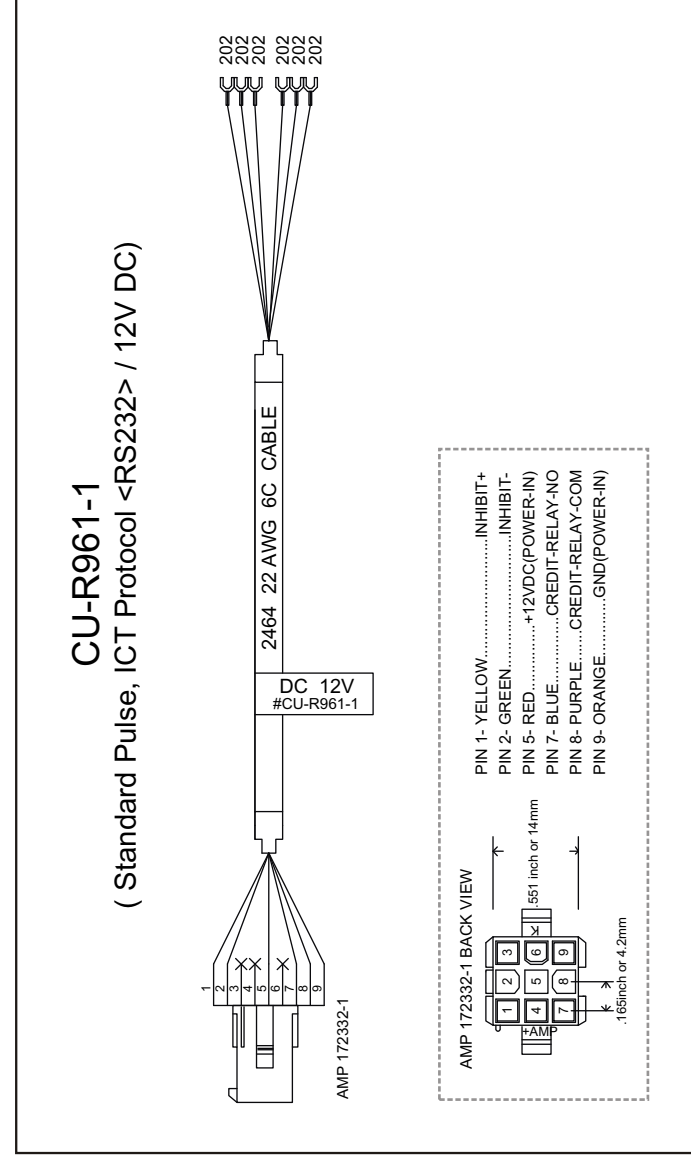


Figure.6

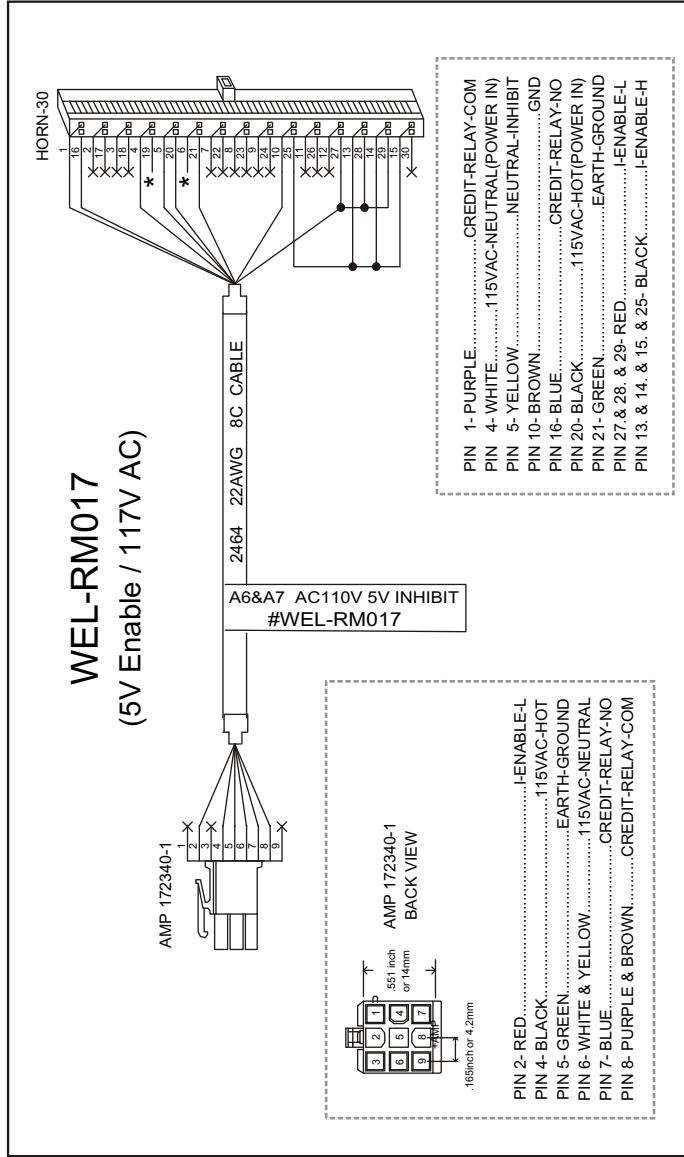


Figure.7

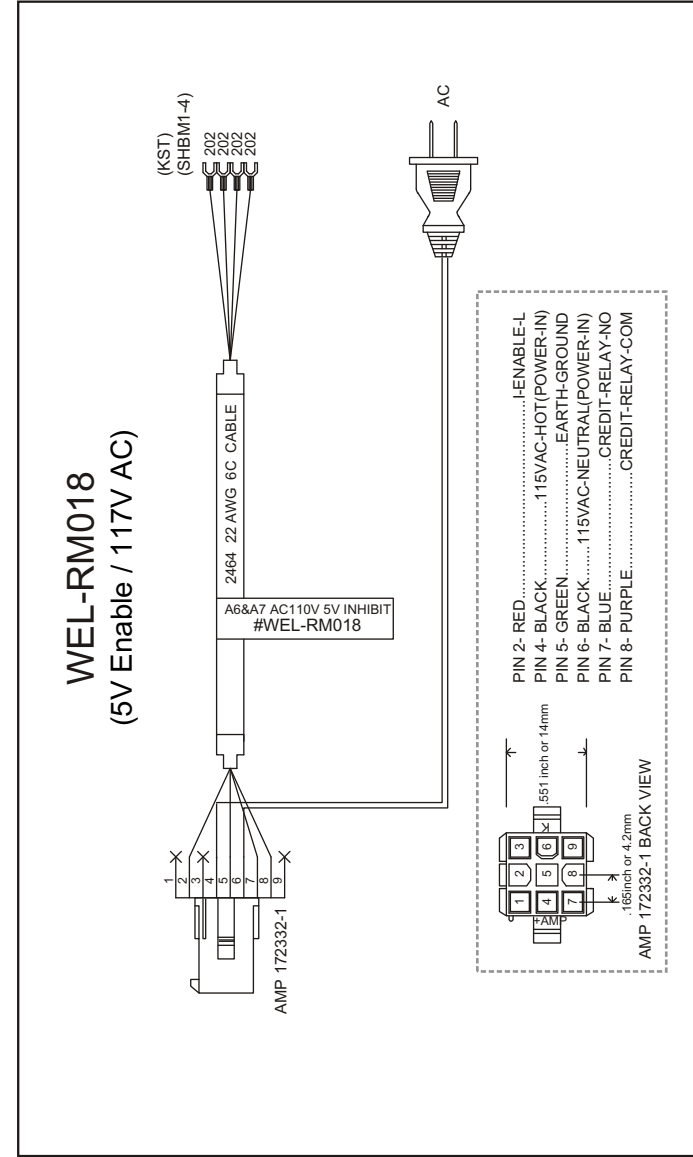


Figure.8

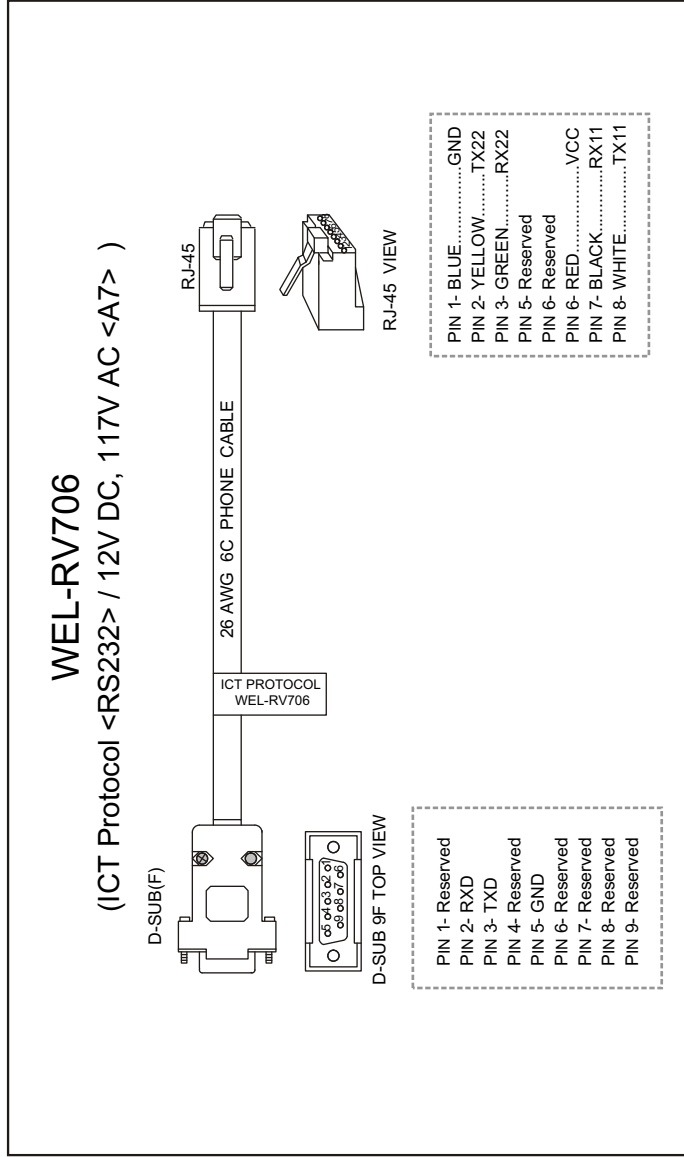


Figure.9

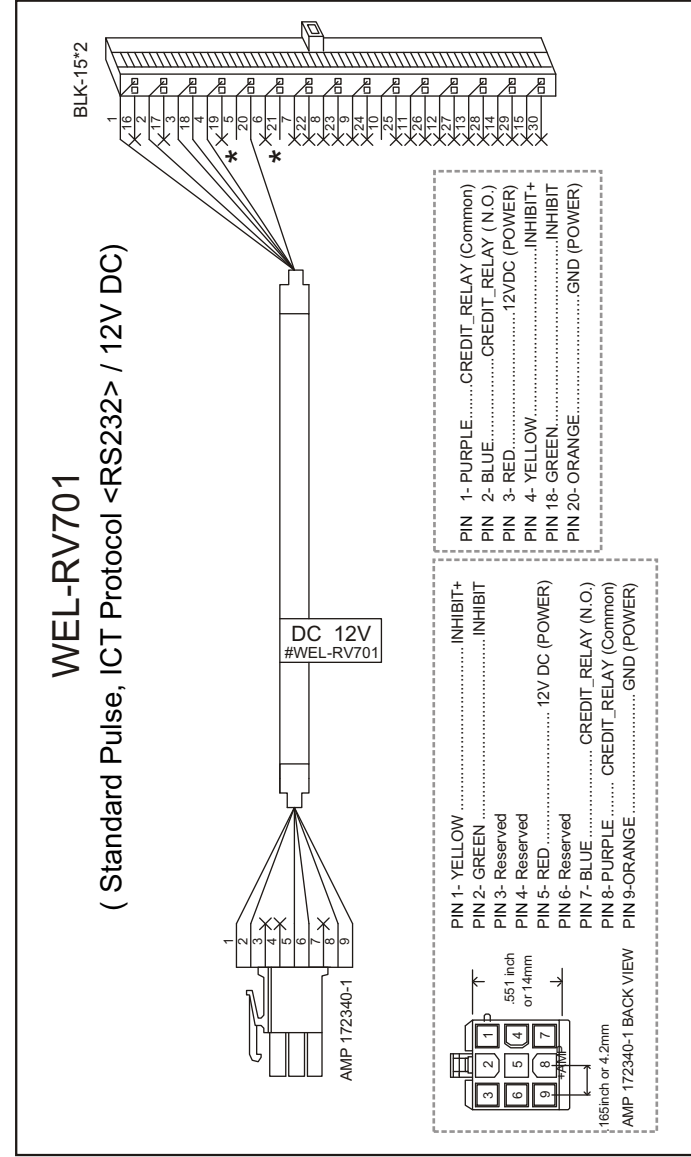


Figure.10

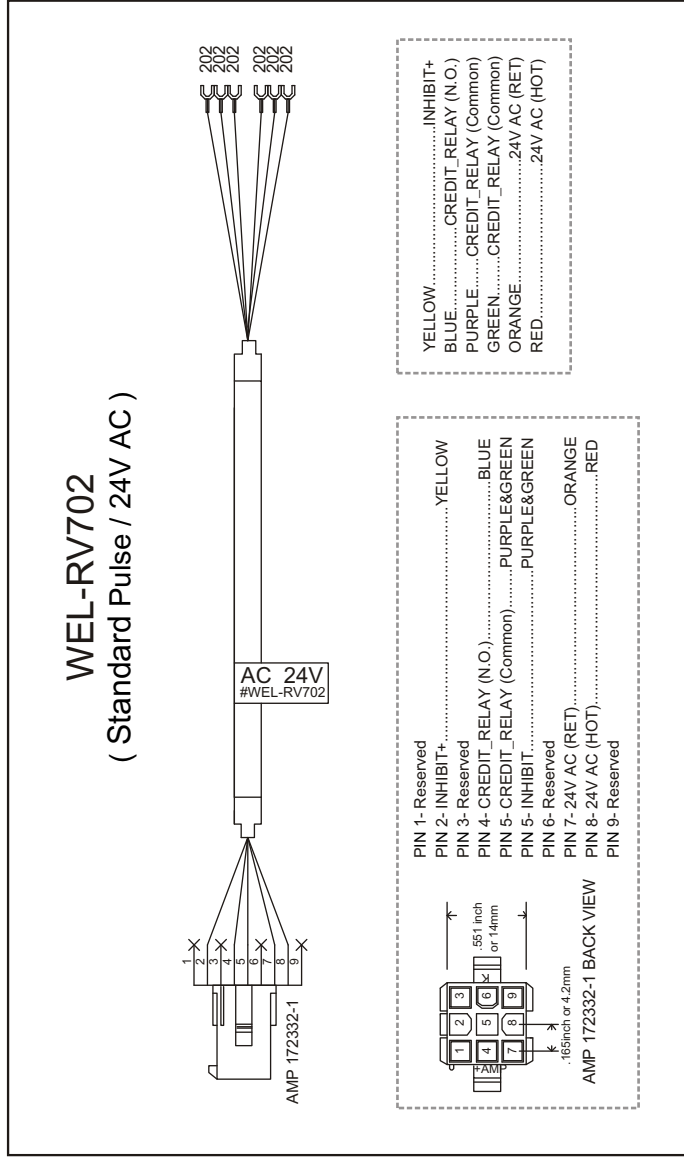


Figure.11

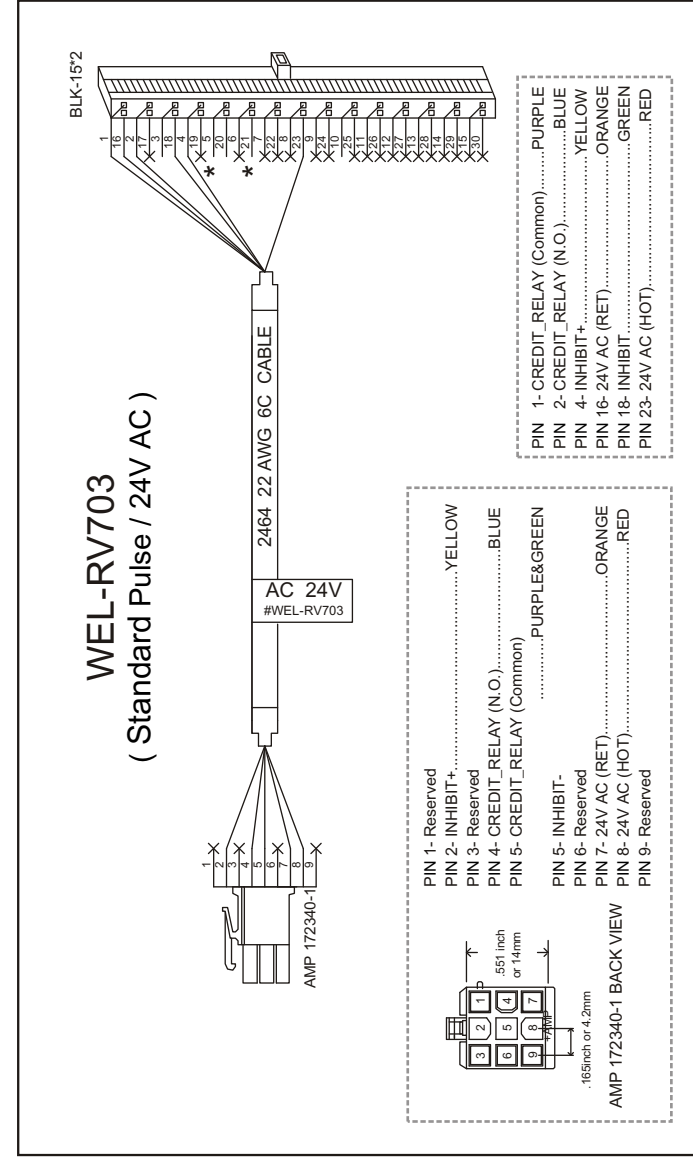


Figure.12

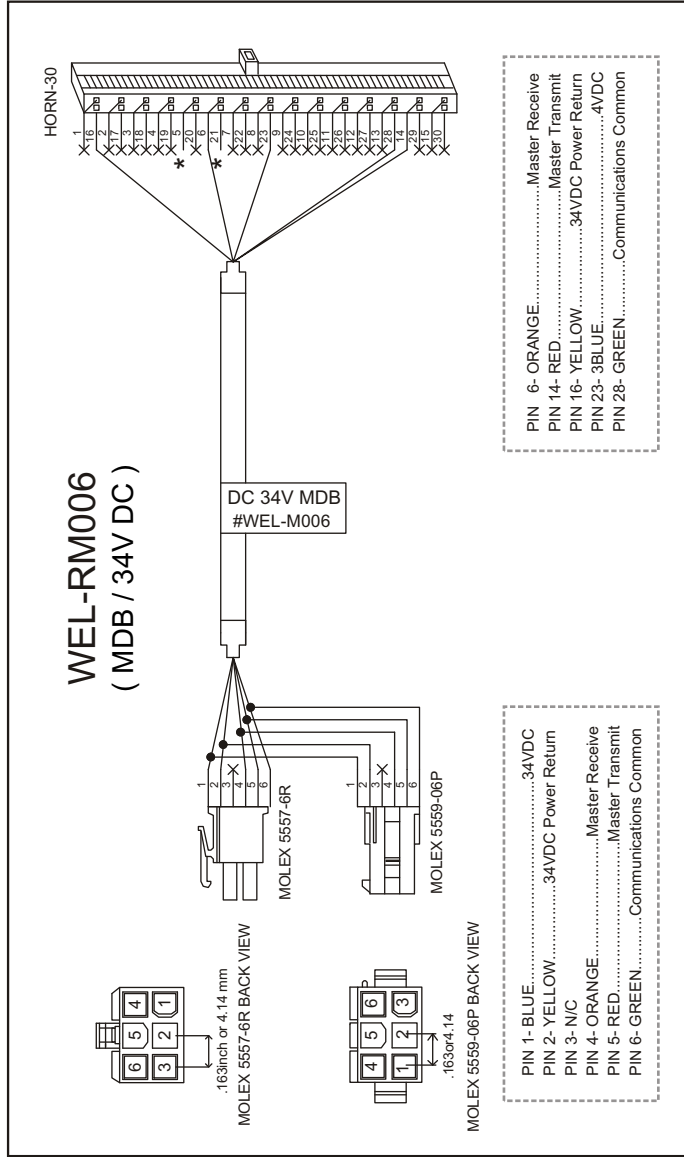


Figure.13

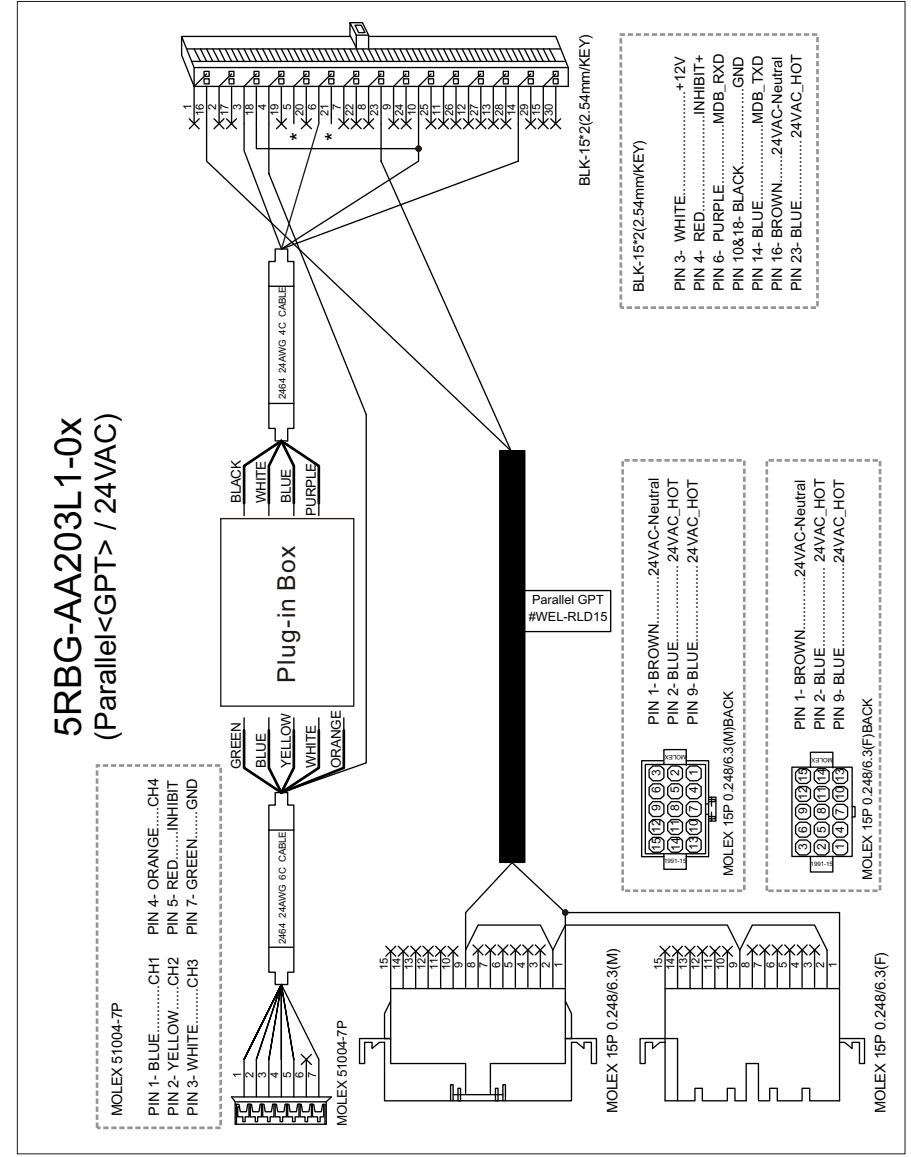
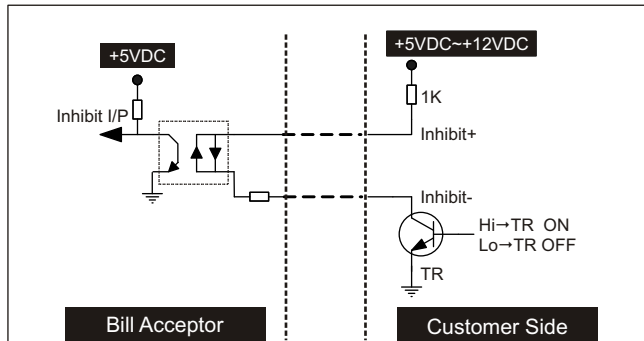
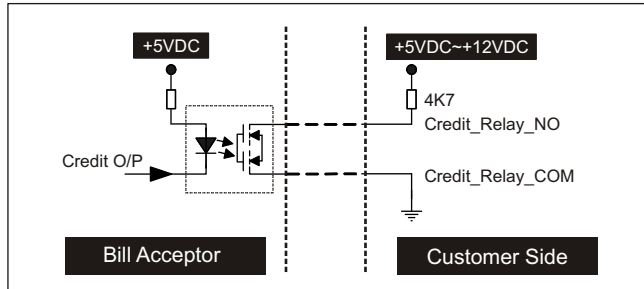


Figure.14

5-1-1. I/O Circuit

Pulse Interface.

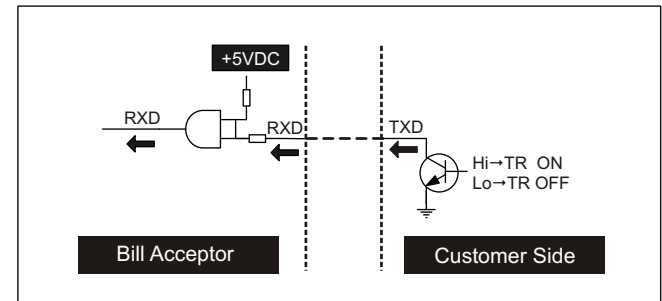
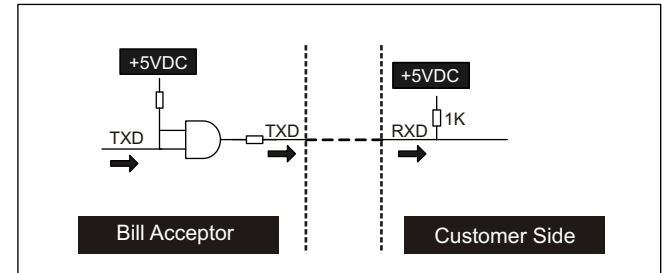
Figure.15



BA Status	DIP SW Setting	Control Signal
Inhibit	Inhibit Active	Low
	Inhibit Active	High
Enable	Inhibit Active	Low
	Inhibit Active	High

ICT-Protocol Interface.

Figure.16



5V Enable Interface

Figure.17

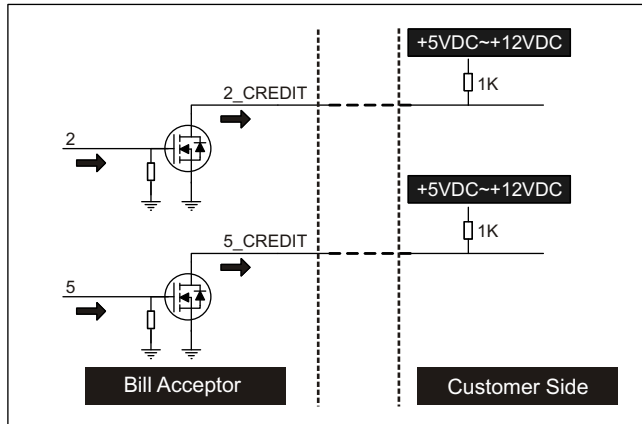
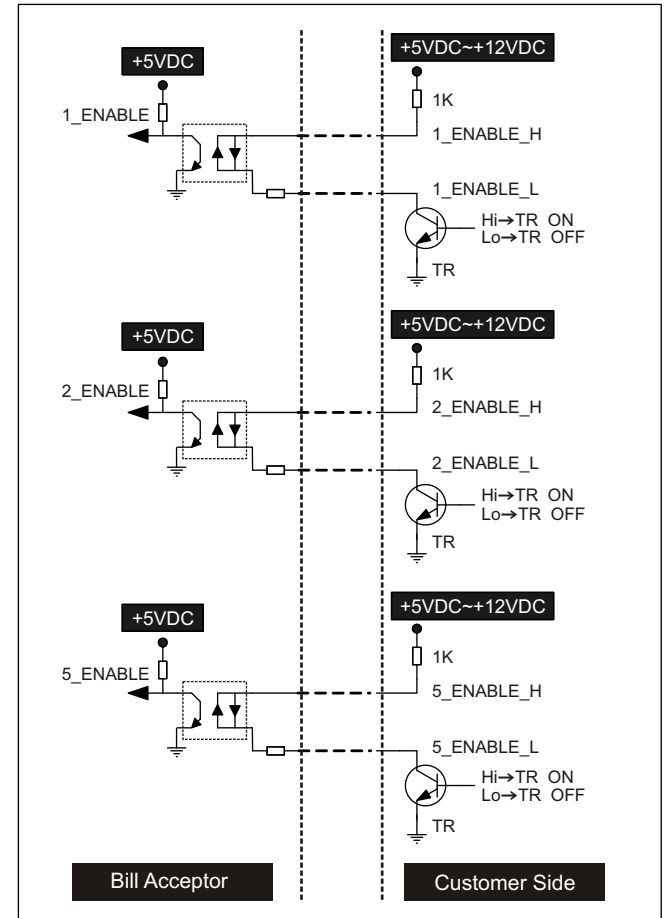
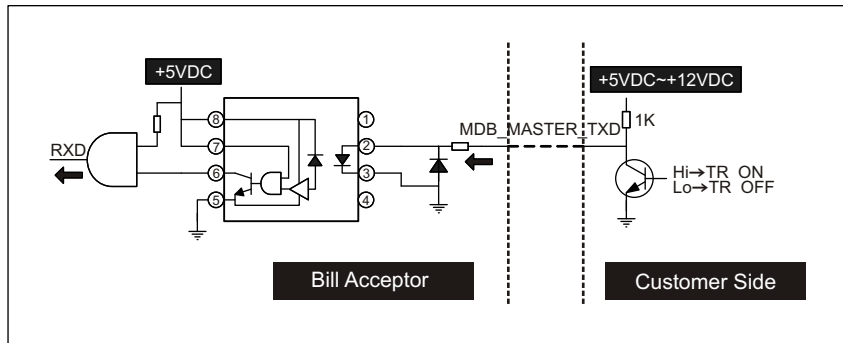
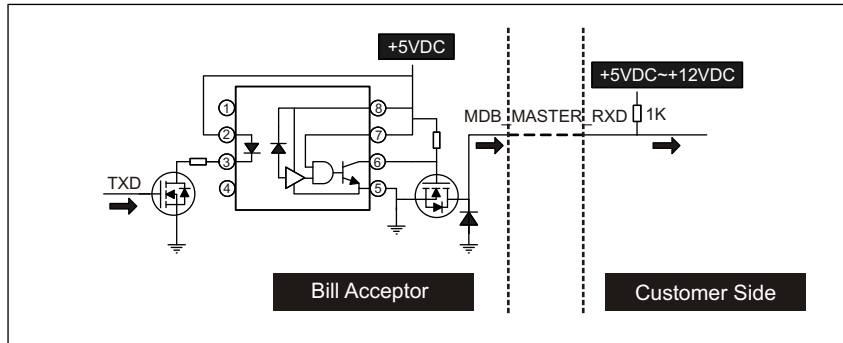


Figure.18



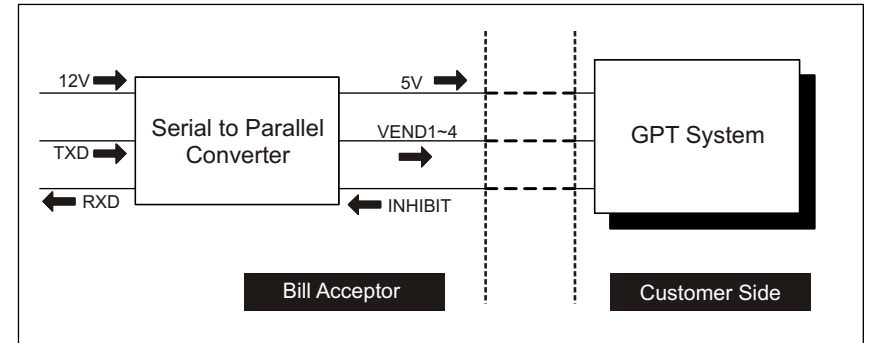
MDB Interface

Figure.19



GPT Parallel Interface

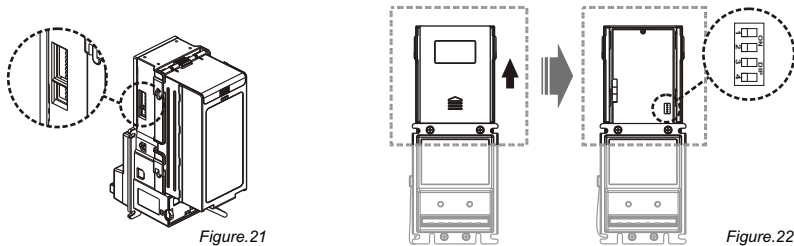
Figure.20



5-2. DIP Switch Setting

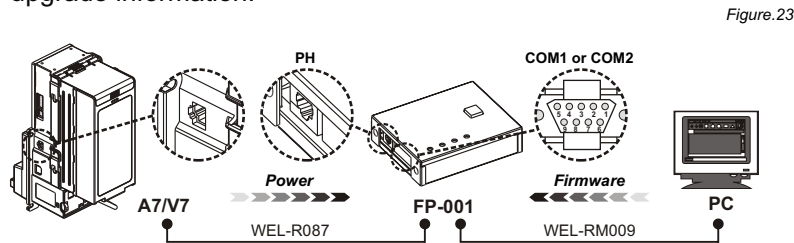
There are two serial DIP switches which are located on the side of A7/V7 Series (as figure 21). According to different currencies which are used by users, DIP switch settings could be varied to fit users' need. Besides, there's also a serial DIP switches on CPU board inside of A7/V7 Series for interface settings.(as figure 21)

Please refer to "A7/V7 Series DIP Switch Setting" Guide in the package for more detail.



5-3. Software Download and Upgrade

To download and upgrade the software to A7/V7 Series, the programmer (FP-001) is needed. Please contact ICT to purchase FP-001 and refer to FP-001 user guide for software download and upgrade information.



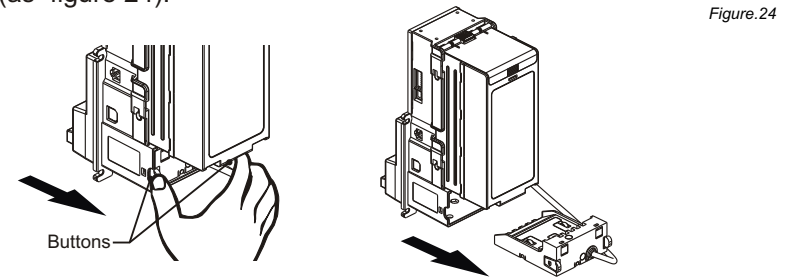
Power must be applied to BA AFTER connecting.

6. Maintenance

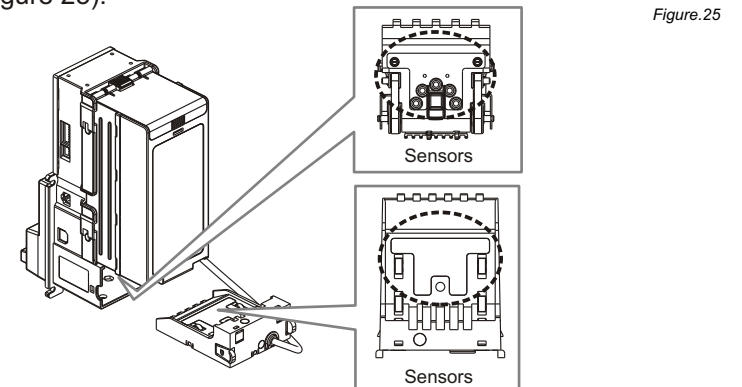
To make sure the bill acceptor always works smoothly, please clean the internal parts regularly.

To clean the internal parts:

1. Press the buttons on the sides of bill path unit and pull the unit out (as figure 24).



2. Use a soft, dry cloth or towel to clean the bill path and sensors (as figure 25).



!	OK	Mild, non-abrasive, soap water.
	DO NOT USE	Organic solvent, Alcohol, Volatility liquid

7. Troubleshooting

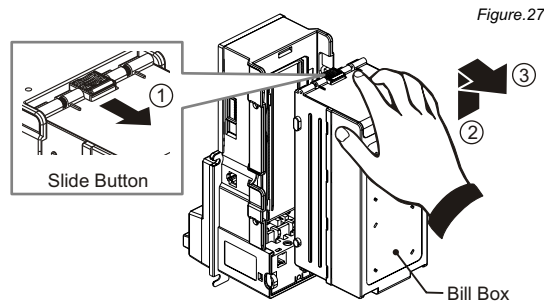
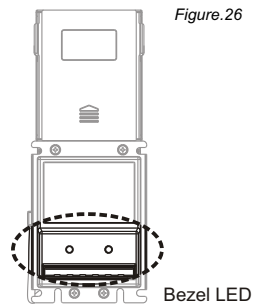


Table 2

LED Flashes	Status	Corrective Actions
1	Bill jammed.	Remove the bill box by sliding the top button and the bill path unit (as figure 27), and then remove the jammed bill.
3	Recognition sensor error.	Inspect for foreign objects on sensor or bill path and clean.
3+2	Hook sensor error.	Inspect for foreign objects on security hook and clean.
3+5 (Optional)	Magnetic Head error.	Inspect for foreign objects on Magnetic Head and clean.
2	Disable	Inspect for right DIP switch setting.
4	Anti-string sensor error or a stringing attempt has detected.	Inspect for foreign objects on sensor or bill path and clean.
5	Bill box has been removed.	Replace the bill box.
6	Stacker error or stacker full.	Empty the bill box.
7	Motor error.	Inspect for foreign objects on bill path and clean.



If the error can not be solved after corrective actions or happen again, please contact ICT for technical support.

ict Taiwan

International Currency Technologies Corporation

Ji-Hong Building, No 24, Alley 38, Lane 91, Nei-hu Rd., Sec. 1, Taipei, Taiwan, R.O.C.

Tel: 886-2-2797-1238 · Fax: 886-2-2797-1634

sales@ictgroup.com.tw (For Sales) · rma@ictgroup.com.tw (For Customer Service)

Website: www.ictgroup.com.tw