



User's manual



No warranty of any kind is made in regard to this material, including, but not limited to, implied warranties of merchantability or fitness for a particular purpose. We are not liable for any errors contained herein or incidental or consequential damages in connection with furnishing, performance or use of this material.

No part of this document may be reproduced, transmitted, stored in a retrieval system, transcribed, or translated into any language or computer language in any form or by any means electronic, mechanical, magnetic, optical, chemical, manual or otherwise, without express written consent and authorization.

We reserve the right to make changes in product design without reservation and without notification. The material in this guide is for information only and is subject to change without notice.

All trademarks mentioned herein, registered or otherwise, are the properties of their various respective owners.

Copyright © 2009. All rights reserved.

Radio Notice

This equipment generates uses and can radiate radio frequency energy. If not installed and used in accordance with the instructions in this manual, it may cause interference to radio communications. The equipment has been tested and found to comply with the limits for a Class A computing device pursuant to EN55022 and 47 CFR, Part 2 and Part 15 of the FCC rules. These specifications are designed to provide reasonable protection against interference when operated in a commercial environment.

Radio and Television Interference

Operation of this equipment in a residential area can cause interference to radio or television reception. This can be determined by turning the equipment off and on. The user is encouraged to try to correct the interference by one or more of the following measures:

- Re-orient the receiving antenna.
- Relocate the device with respect to the receiver.
- Move the device away from the receiver.
- Plug the device into a different outlet so that the device and the receiver are on different branch circuits.

If necessary the user may consult the manufacturer, and authorized dealer, or experienced radio/television technician for additional suggestions. The user may find the following booklet prepared by the Federal Communications Commission helpful: "How to Identify and Resolve Radio-TV Interference Problems." This booklet is available from the U.S. Government Printing Office, Washington, DC 20402 U.S.A., Stock No. 004000003454.

For CE-countries

This scanner is in conformity with CE standards. Please note that an approved, CE-marked power supply unit should be used in order to maintain CE conformance.

Laser Safety

The laser scanner complies with safety standard IEC 60825-1 for a Class I laser produce. It also complies with CDRH as applicable to a Class IIa laser product. Avoid long term staring into direct laser light.

Radiant Energy: The laser scanner uses one low-power visible laser diodes operating at 650nm in an opto-mechanical scanner resulting in less than 3.9 μ W radiated power as observed through a 7mm aperture and averaged over 10 seconds.

Do not attempt to remove the protective housing of the scanner, as unscanned laser light with a peak output up to 0.8mW would be accessible inside.

Laser Light Viewing: The scan window is the only aperture through which laser light may be observed from this product. A failure of the scanner motor, while the laser diode continues to emit a laser beam, may cause emission levels to exceed those for safe operation. The scanner has safeguards to prevent this occurrence. If, however, a stationary laser beam is emitted, the failing scanner should be disconnected from its power source immediately.

Adjustments: Do not attempt any adjustments or alteration of this product. Do not remove the protective housing of the scanner. There are no user-serviceable parts inside.

Optical: The use of optical instruments with this product will increase the eye hazard. Optical instruments include binoculars, magnifying glasses, and microscopes but do not include normal eye glasses worn by the user.

CAUTION: Use of controls or adjustments or performance of procedures other than those specified herein may result in hazardous radiation exposure.

Table of Contents

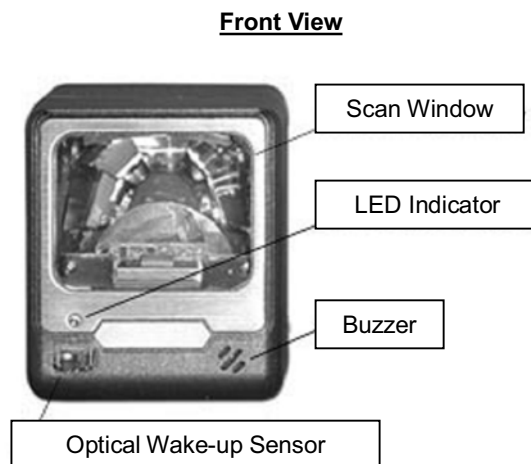
1. Introduction	1
1.1 Outline.....	1
1.2 Unpacking.....	3
1.3 Maintaining the Scanner.....	3
2. Connecting	4
2.1 Power.....	4
2.2 Verifying Scanner Operation.....	4
2.3 Connecting to the Host.....	6
3. Mounting Instructions	7
3.1 Mounting.....	7
3.2 Location and Positioning.....	9
4. Window Instructions	12
4.1 Window Material.....	12
4.2 Window Angle and Position.....	14
5. Setting Up the Scanner	17
5.1 Scan Test.....	17
5.2 Set Up Parameters.....	18
6. Operation	19
6.1 LED Indications.....	19
6.2 Beeps.....	20
6.3 Changing the Beep Volume.....	20
6.4 Sleep Mode.....	20
6.5 Controlling from A Host System.....	21
7. Specifications	22
8. Troubleshooting	26
Figure 1: Outline.....	1
Figure 2: Diagrams for Mounting.....	8
Figure 3: Cable Position.....	9
Figure 4: Mounting Plate: Back View.....	10
Figure 5: Mounting Plate: Bottom View.....	11
Figure 6: Window Angle & Position.....	15
Figure 7: Diagrams of Window Size.....	15
Figure 8: Diagrams.....	24
Figure 9: Scan Field.....	25
Table 1: Suggested Window Properties.....	13
Table 2: Suggested Window Size.....	14

1. Introduction

This Omnidirectional Laser Scan Module is an easy-to-integrate unit that performs 5 directions of scan field with a 20-line scan pattern cycling at 1200 scan per second for quick and accurate reads. The scanner's smart small cubic design allows for easy integration into new equipment and efficiently reduces overall equipment size. Multiple interfaces including keyboard wedge, RS232C, HID USB and wand are offered at user's convenience.

1.1 Outline

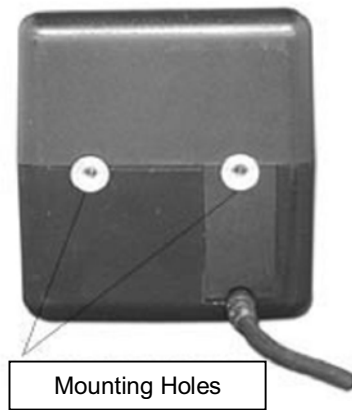
(Figure 1: Outline)



Back View


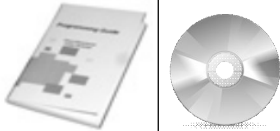



Bottom View



1.2 Unpacking

The package should contain:

Omnidirectional Laser Scanner with Selected Interface Cable (1 ea.)	
User's Manual and Programming Guide (1 ea.) (In Either Hardcopy Or CD-ROM)	
5V Adaptor (Optional) (1 ea.)	

1.3 Maintaining the Scanner

The scanner rarely needs any maintenance, only an occasional cleaning of the scanner window is necessary to remove any dirt or fingerprint. To clean the scanner window, use a soft lint-free cloth and non-abrasive cleaner to avoid scratching the scanner window. The scanner window can be cleaned while the scanner is running.

2. Connecting

2.1 Power

The scanner needs a minimum of 200mA at 5V power. The power link interface cable that comes with the scanner supports both direct power (where the scanner takes power from the host machine) and external power (the power adapter that's plugged into an AC outlet). If the host machine supplies power, it must be the same as the input power specified (200mA @ 5V). When external power is used, the scanner does not take power from the host machine.

There is no on/off switch on the scanner. It turns on when power is connected and turns off when power is removed. It is advised to turn off your POS or host system before installing the scanner to avoid electronic damage to your computer.

Make sure to use only AC/DC power adaptor approved for the scanner. The usage of other power supplies may cause damage to the product that's not covered by factory warranty.

2.2 Verifying Scanner Operation

Before installing the scanner, follow the procedures below to make sure scanning go on properly.

1. Connect the scanner with host through the cable attached to the scanner.
2. (If an adaptor is not required, go directly to step 4.) Insert the 8-pin modular plug of the power link

cable into the "host" connector in the back of the scanner until a firm click is heard.

3. Plug the power adaptor into the jack on the power link cable.
4. When the scanner powers up, LED light up in green and the buzzer makes four short beep sounds. When the self-test is finished, the LED light will turn red.
5. Place a test barcode in front of the scanner. If the scanner works right, it will make a short beep sound, and the LED will show green light indicating a good read, then the "test barcode" can be removed.



1. If the scanner does not make any beep sounds or makes the wrong beep sound or no LED light shows when power is connected, remove power from scanner and refer to troubleshooting section.
2. If the scanner is using RS-232 or keyboard wedge interface cables, it is able to scan barcodes continuously when power is on. If the scanner is using USB interface cable, it will only be able to scan barcodes continuously only when connected to a host. If the scanner is not connected to a host, it will be able to read one barcode only (LED light stays green).

2.3 Connecting to the Host

The scanner connects to a host terminal by an interface cable. This cable connects to the scanner with a modular connector, and connects to the host terminal with the connector required by the host (RS-232, keyboard wedge, or USB, depending on the host). Please make sure the right cable is used for connecting the scanner to your host terminal.

3. Mounting Instructions

3.1 Mounting

Scan performance will not be affected by the mounting direction of the scanner.

Use mounting holes on the bottom or/and back of the scanner to mount the scanner onto host machine (Figure 2).

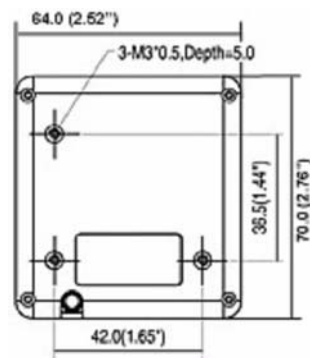
Templates below can also be used for reference (Figure 4 & 5).



SR (strain release) that is connected to the cable rotates 90° to comply with the way the scanner is mounted; therefore the scanner will be positioned horizontally to the host machine without cable interference for optimal mounting. (See Figure 3).

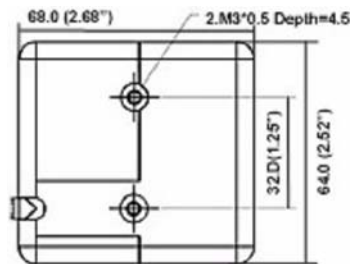
(Figure 2: Diagrams for Mounting)

Back View



Unit: mm (inch)

Bottom View



Unit: mm (inch)

(Figure 3: Cable Position)

Horizontal Mounting



Vertical Mounting



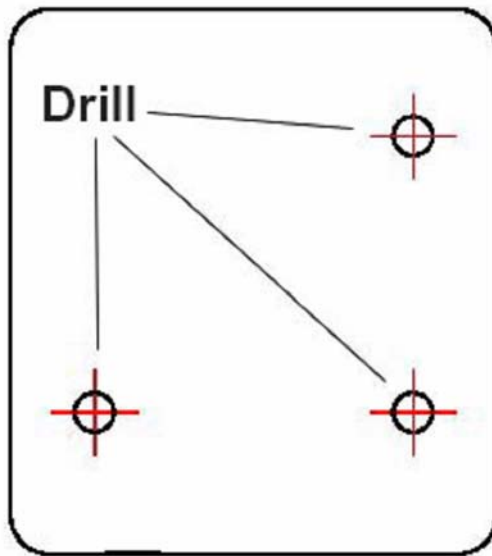
3.2 Location and Positioning

The location and positioning guidelines provided do not consider unique application characteristics. It is recommended that an opto-mechanical engineer perform an opto-mechanical analysis prior to integration.

Integrate the scan module in an environment no more extreme than the product's specification. For instance, do not mount the scan module onto or next to a large heat source. When placing the scan module with another device, ensure there is proper convection or venting for heat. Follow these suggestions to ensure product longevity, warranty, and overall satisfaction with the scan module.

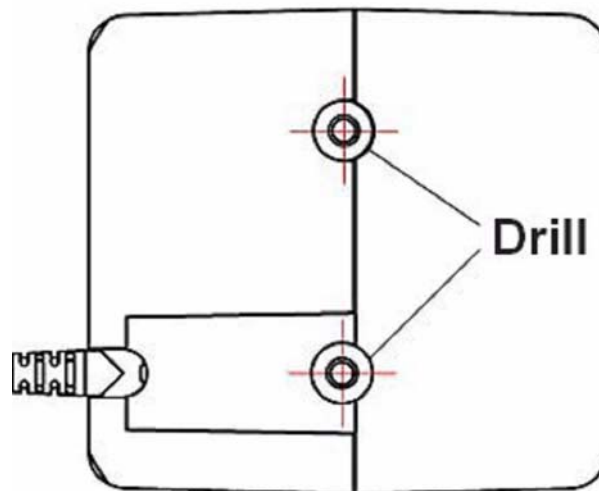
(Figure 4: Mounting Plate: Back View)

3 Mounting Holes
Size: M3*0.5
Depth: 5.0
Scale 1:1
Unit: mm



(Figure 5: Mounting Plate: Bottom View)

2 Mounting Holes
Size: M3*0.5
Depth: 4.5
Scale 1:1
Unit: mm



4. Window Instructions



It is **not** recommended to place an additional exit window in front of this scan module. However, when such a window is required for application, please follow the guidelines below.

4.1 Window Material

The suitability of window material depends on the anticipated environment and your product's intended use. Appropriate window material includes glass and plastic. However, if you choose to use plastic, it should have a protective hard-coat on at least the exposed surface. Among the most commonly used window materials are:

Acrylic

Acrylic is an excellent material option for exit windows at low initial cost. This cellcast acrylic is a clear plastic that can be used as a shatterproof replacement for glass that maintains transparency for any thickness.

CR-39

CR-39 is a thermal-setting plastic produced by the cell-casting process, and is commonly used in plastic eye glasses lenses. CR-39 has excellent chemical and environmental resistance, including good surface hardness. Typically it does not require hard-coating,

but can be hard-coated for severe environments. CR-39 has reasonably good impact resistance and cannot be ultrasonically welded.

Chemically Tempered Float Glass

Glass is a hard material which provides excellent scratch and abrasion resistance, but unannealed glass is brittle. Increasing flexibility strength with minimal optical distortion requires chemical tempering. On the other hand, glass cannot be ultrasonically welded and is difficult to cut into odd shapes.

Table 1: Suggested Window Properties

Property	Description
Material	Clear Acrylic
Spectral Transmission	85% minimum from 640 to 690 nanometers
Thickness	1.5mm
Wavefront Distortion (transmission)	0.2 wavelengths peak-to-valley maximum over any 0.08 inch diameter within the clear aperture
Surface Quality	60-20 scratch/dig



1. **Do not** use polycarbonate material.
2. Avoid scratched windows. Scratches on the window can greatly reduce scan engine performance. A design that recesses the window into the housing and/or the use of a scratch resistance coating is recommended.

4.2 Window Angle and Position

If a window is placed between the scan module and the item to be imaged, observe the following guidelines:

(1) Window Angle

Design a second exit window parallel to the scan module exit window, and avoid decreases the possibility of a secondary reflection from that window degrading the scan module's performance. See Figure 6.

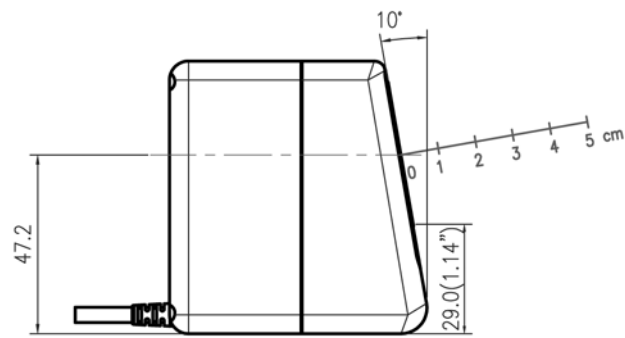
(2) Window Opening

Make the clear opening of the window large enough so that the entire scan field of view passes through the window. Cutting off any part of the field of view can degrade decode range performance. Ensure that window placement relative to the scan module accounts for tolerances on all parts involved in that assembly. The suggested window sizes at various distance from the scan window is shown in Table 2, Figure 6 & 7:

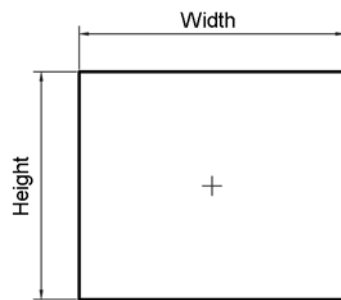
Table 2: Suggested Window Size

Distance from scan window at scan center line (cm)	0 (0")	1 (0.4")	2 (0.8")	3 (1.2")	4 (1.6")	5 (1.8")
Minimum window width (cm)	5	5.5	7	9	10	12
Minimum window height (cm)	4.5	5	6	6.5	7	7.5

(Figure 6: Window Angle & Position)



(Figure 7: Diagrams of Window Size)



(3) Optical Working Range

Since there is a signal loss when passing through window material, adding a window can reduce the working range of the scanner; window color can also be a various factor. To minimize this reduction, make sure the spectral region is between 600 nm and 650 nm and the optical transmission is a minimum of 85%. However, to understand the difference, you should test the scanner in the desired orientation and see if the difference affects scanning performance.

5. Setting Up the Scanner

No setup is required if the scanner is either pre-programmed or it auto-detects and is ready to be used. Otherwise, the scanner must be informed about the type of system it is connected to. This can be done quickly using the Programming Guide that's included in the package.

The Programming Guide is used to set parameters such as communication interface type (RS-232, keyboard, USB), beep tone, beep volume, sleep mode timing and same-code delay time. Setup of one parameter does not interfere with other parameters.

5.1 Scan Test

1. With the scanner running (LED red) and the host system on, scan few known-good barcodes.
2. Check result on host screen. If scanner is reading correctly, no further setup is necessary. If scanner reads incorrectly, then go to the Set Up Parameters section.

5.2 Set Up Parameters

1. With the scanner running (LED red) and the host system on, scan <Enter/Exit Programming Mode> barcode found on the inside cover of the Programming Guide.
2. Scanner is ready for programming if it gives one low beep sound followed immediately by a high beep sound and LED turns green.
3. Find the barcode which corresponds to the parameter you require in the Programming Guide.
4. Scan the desired barcodes one by one as the scanner beeps once for every barcode it memorizes.
5. When all finished, scan <Enter/Exit Programming Mode> barcode again. The scanner will beep twice, one long and one short. When LED turns red, the scanner has been programmed.
6. Scan few known-good barcodes to make sure the scanner reads correctly. If not, try set up procedures again.

6. Operation

This scanner is omnidirectionally reading barcodes in sweep and presentation mode depending on the host system it is attached to. Sweep mode means moving items through the scan window (left to right, right to left, top to bottom, bottom to top etc. are all okay). Presentation mode is when an object is moved toward the scan window (“presented”) until the barcode is read, then the object is removed.

6.1 LED Indications

LED	Status Indications
off	No power applied to the scanner.
steady red light	The scanner is on and ready to scan.
one blink of green light	One barcode has been successfully decoded.
steady green light	*Scanner is in programming mode. *A barcode has been successfully decoded but the object has not been removed from the scan window.
flashing red light	Scanner entering sleep mode.
steady orange light	This indicates motor failure (for motor failure, a periodic beeping sound will also be heard).
flashing orange light	Scanner has a laser subsystem failure; return to repair.

6.2 Beeps

Beeps	Status Indications
one beep	A barcode has been successfully decoded.
series of 4 beeps	*Scanner passed self-test and is operating properly. *When scanner is powered up.
series of 2 beeps	When scanner is entering programming mode.
continual beep	Failure indication; return to repair.

6.3 Changing Beep Volume

The scanner can be programmed with the Programming Guide to change beeper tone, volume and period. There are three sound levels (loud, medium, and low) and the default beep volume is loud

6.4 Sleep Mode

After the scanner has been inactive for a period of time, the laser automatically turns off; after some more time, the motor turns off and the scanner enters "sleep mode" indicated by the red status LED blinking once a second. To wake up the scanner, simply present an object close to the scanner window. The Sleep Mode feature is included to reduce power consumption and to extend scanner life.



The scanner includes a motion sensor that detects activity in front of the scan window (see Figure 1). The detecting distance is up to about 100mm from the scan window depending on ambient light.

6.5 Controlling from A Host System

The scanner can be controlled from the host system via the RS-232C interface. Control can be accomplished by transmitting the following single-byte commands to the scanner. The default setting for the commons are as follows:

ASCII Code	Function	Byte is Also Called
OE Hex	enable (resumes disable)	Shift Out or <Ctrl-N>
OF Hex	disable	Shift In or <Ctrl-O>
05 Hex	power-up re-initialization	ENQ or <Ctrl-E>
12 Hex	sleep	DC2 <Ctrl-R>
14 Hex	wake up (resumes sleep)	DC4 <Ctrl-T>



When the scanner is disabled, the motor of the scanner will stay on until the scanner goes into sleep mode.

7. Specifications

Operational

Light source	650nm visible laser diode
Depth of Scan Field	0-210mm@ UPC/EAN 100%, PCS 90%
Number of Scan Lines	20
Scan Pattern	5 directions of scan field
Scan Rate	1200 scans per second
Minimum Bar Width	5mil @ PCS 90%
Print Contrast	30% @ UPC/EAN100%
Indicators (LED)	Two-color LED (red and green)
Decode Capabilities	UPC/EAN/JAN, UPC Versions A&E, EAN-8, EAN-13, JAN-8, JAN-13, Addendum 2 or 5, ISBN/ISSN, Japanese Bookland, Code 39 (with full ASCII), Codabar (NW7), Code 128/EAN 128, Code93, Interleaved 2 of 5, MSI/Plessey, China Postal Code, Code 32 (Italian Pharmacode), RSS-14, RSS Expanded, RSS-Limited Optional: Industrial 2 of 5, Standard 2 of 5, Discrete 2 of 5, Matrix 2 of 5, IATA Code, Code-11
Beeper Operation	Programmable tone and beep time
System Interfaces	Keyboard, RS-232C, HID USB, Wand

Physical

Height	72.0mm
Depth	68.0mm
Width	64.0mm
Weight	175g
Cable	Standard 200m straight

Power

Input Voltage	5VDC+10%
Power	1.0Watts
Operating Current	200mA@ 5.0V

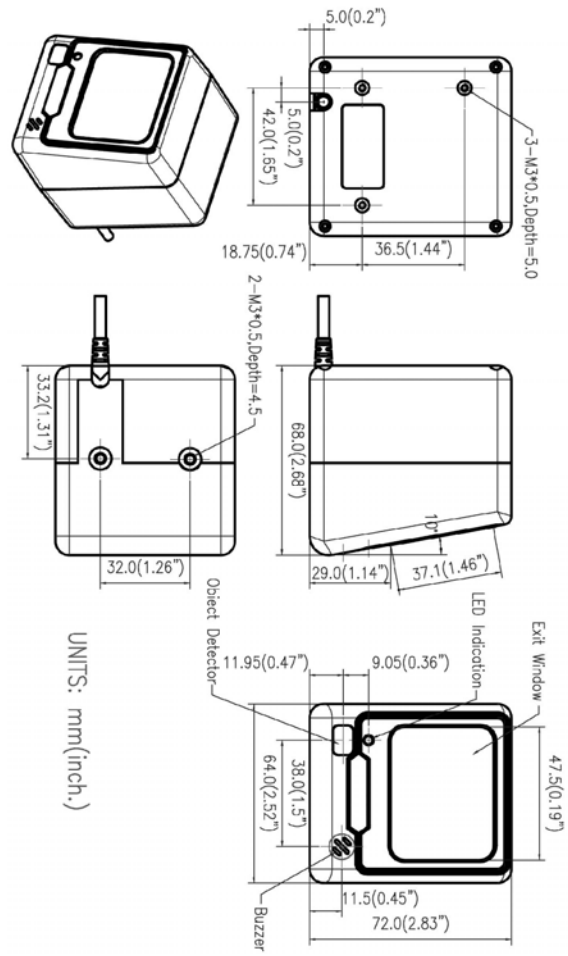
Regulatory

Laser Class	CDRH Class IIa, IEC 60825-1: Class 1
EMC	CE&FCC DOC compliance, VCCI, BSMI

Environment

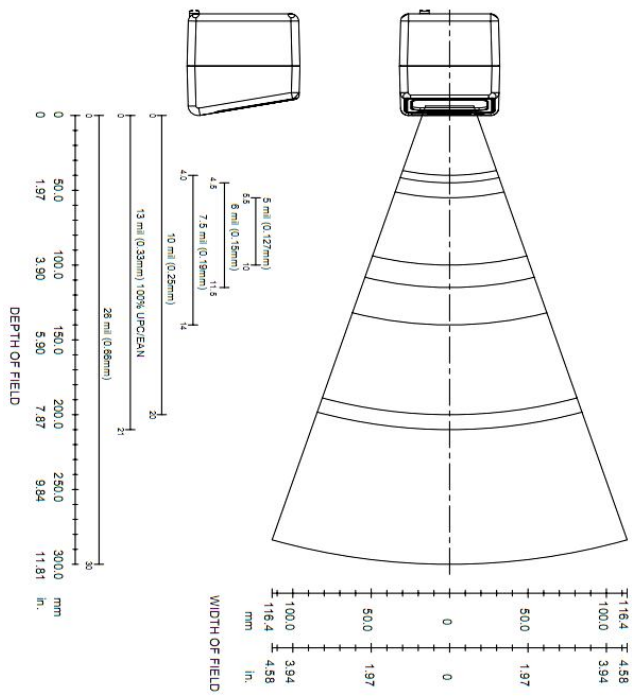
Operating Temperature	0° C~40° C (32° F~104° F)
Storage Temperature	-20°C~60°C(-4° F~140° F)
Humidity	5%-95% RH (non-condensing)
Light Level	Max. 4000 LUX (fluorescent)
Drop Durability	Designed to withstand 1m drops

Figure 8: Dimensions



UNITS: mm(inch.)

Figure 9: Scan Field



8. Troubleshooting

Problem	Diagnostic Tips
The scanner is on but cannot read barcodes. The LED is red.	<p>*The scanner window is dirty and must be cleaned as described in Maintenance section.</p> <p>*The presented barcode type is not enabled and must be programmed with the programming guide.</p> <p>*The host disables the scanner.</p> <p>*The barcode type presented is not supported by this module.</p>
The scanner is on but the motor is not rotating; LED is intermittently flashing red.	*The scanner has entered sleep mode. Simply present a barcode to the scanner to activate the scanner.
LED is orange.	*Possible failure of the scanning safeguard circuit. Disconnect the scanner from its power source immediately and contact your dealer.
The scanner does not accept more than 2 or 3 barcode labels.	*There is no proper handshaking with the host system. Switch on the host system and check connection and communication settings.
The scanner flashes alternating red and green LED with no motor or pattern.	*The scanner detects a power insert failure. Please check if the power is connected properly.

Problem	Diagnostic Tips
LED remains green.	<p>*The scanner is continuously seeing a barcode. Remove all barcode labels out of the scan volume of the scanner and try again.</p> <p>*The scanner cannot send data to the host system. There is no proper handshaking between the scanner and the host. Make sure that all cables are connected and your host system is ready to receive data.</p>
Barcode is read by the scanner but not accepted by the host system.	<p>*The communication cable is not connected to the serial port of your host system. Refer to the manual of your host system to locate the serial port.</p> <p>*The communication setting of the system and scanner do not match. Adjust the setting to fix the problem.</p> <p>*The communication cable does not suit your host system. Contact your dealer for the correct communication cable.</p> <p>*The software running on the host system does not support the data format of the label.</p>